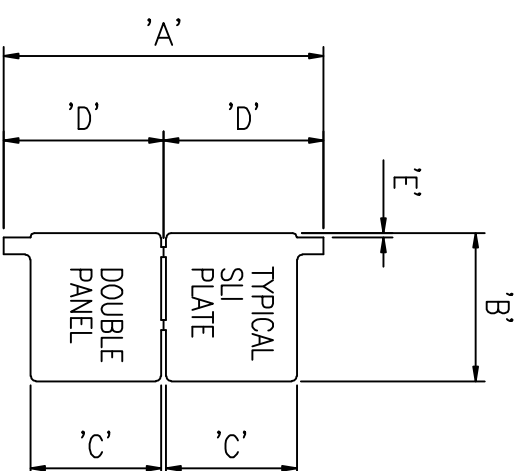
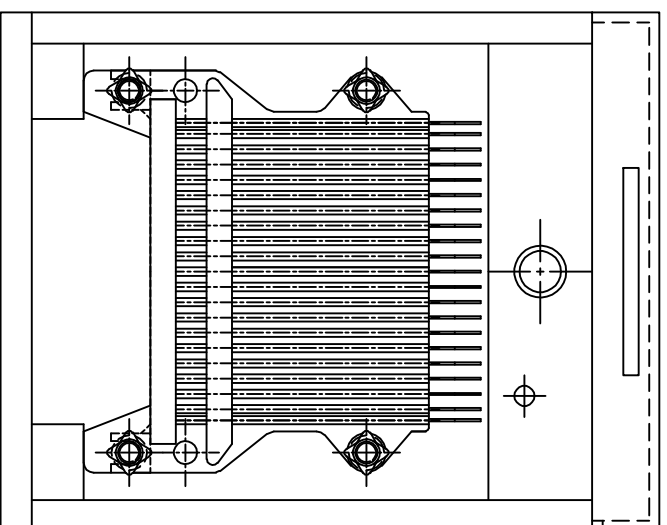


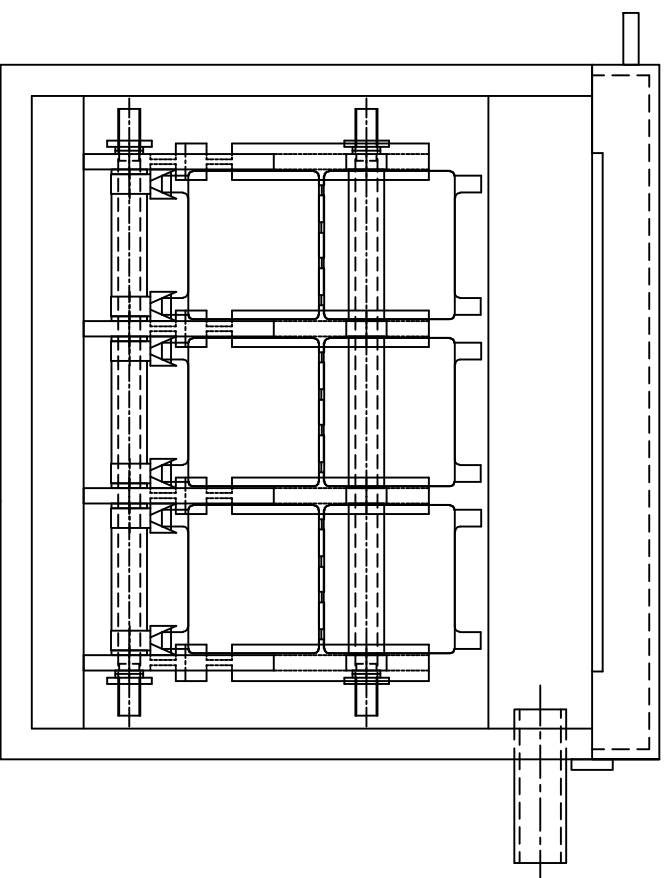
4 21 SLOT FORMATION BOARDS



CUSTOMER DOUBLE PANEL SIZE REQUIREMENTS



SECTION ON 'A'-'A'



SECTION ON 'B'-'B'

FABRICATED POLYPROPYLENE SLI TYPE FORMATION TANK & LID



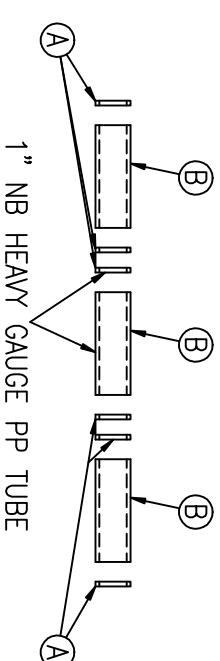
1/2" NB HEAVY GAUGE PP TUBE

THE RODS 4 OFF PER CASSETTE ASSEMBLY



1" NB HEAVY GAUGE PP TUBE

TOP SPACERS TYPICAL 6 PER TANK



BOTTOM SPACER QUANTITY DEPENDANT ON IF PLATES HAVE 'OFF SET' LUGS

ALL DIMENSIONS IN MILLIMETRES

MACHINING LIMIT, WHERE NOT SPECIFIED, TO BE : 0.4 mm ON ALL MACHINED DIMENSIONS

COPYRIGHT © 2003
This drawing remains the property of Kentmere Technical and Trading Ltd and must not be copied or issued to third parties without the written permission of Kentmere Technical and Trading Ltd

ISSUING DEPT.
Kentmere Suite,
Croydon Business Park,
Horley,
Bolton Bl6 6 HG
England.

TITLE:
INTERNAL FORMATION TANK
FURNITURE TYPICAL ASSEMBLY

SCALE	DRAWN	MD	DRG.NO.
NTS	CHECKED	MD	TYP FTF 001
APPROVED	MD		
DATE	APRIL 10		